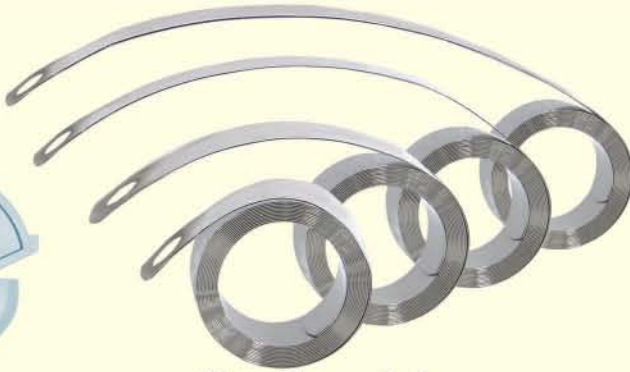


Assembly and Installation Instructions

Components



Shoe



Spring(s)
single thru quad shown



Holder



Pivot Bar



Spring/Shoe Assembly

(double spring assembly shown)



1. Place Longest Spring onto hook of Shoe & tilt away.
Note: orientation is important.



2. Place Short Spring onto hook of Shoe.



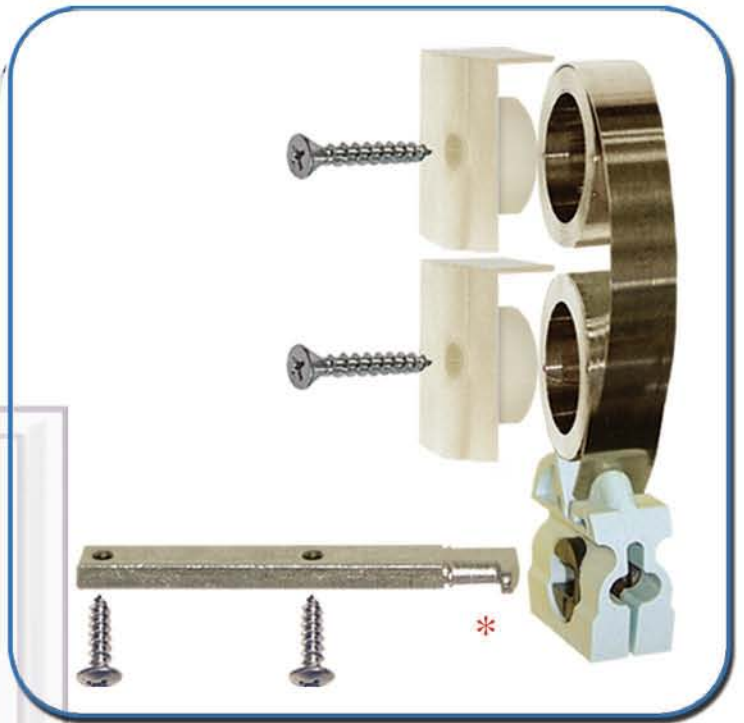
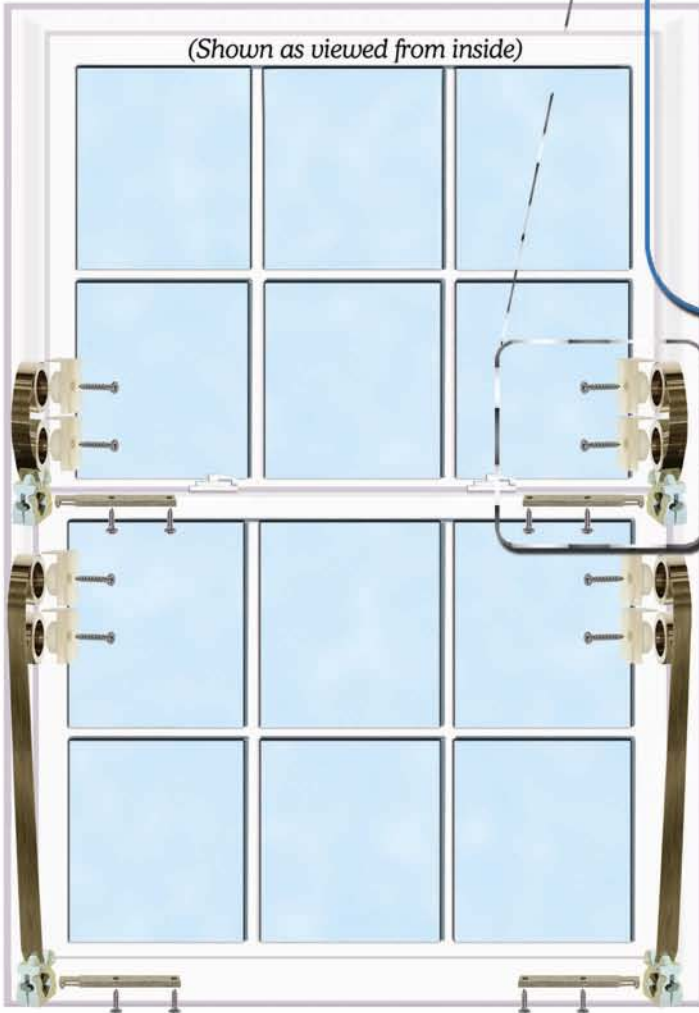
3. Align Long Spring with Short Spring & Shoe.



Double, triple & quad configurations shown.

IMPORTANT

* The installation orientation of the Balance Shoe and Pivot Bar must be as shown.

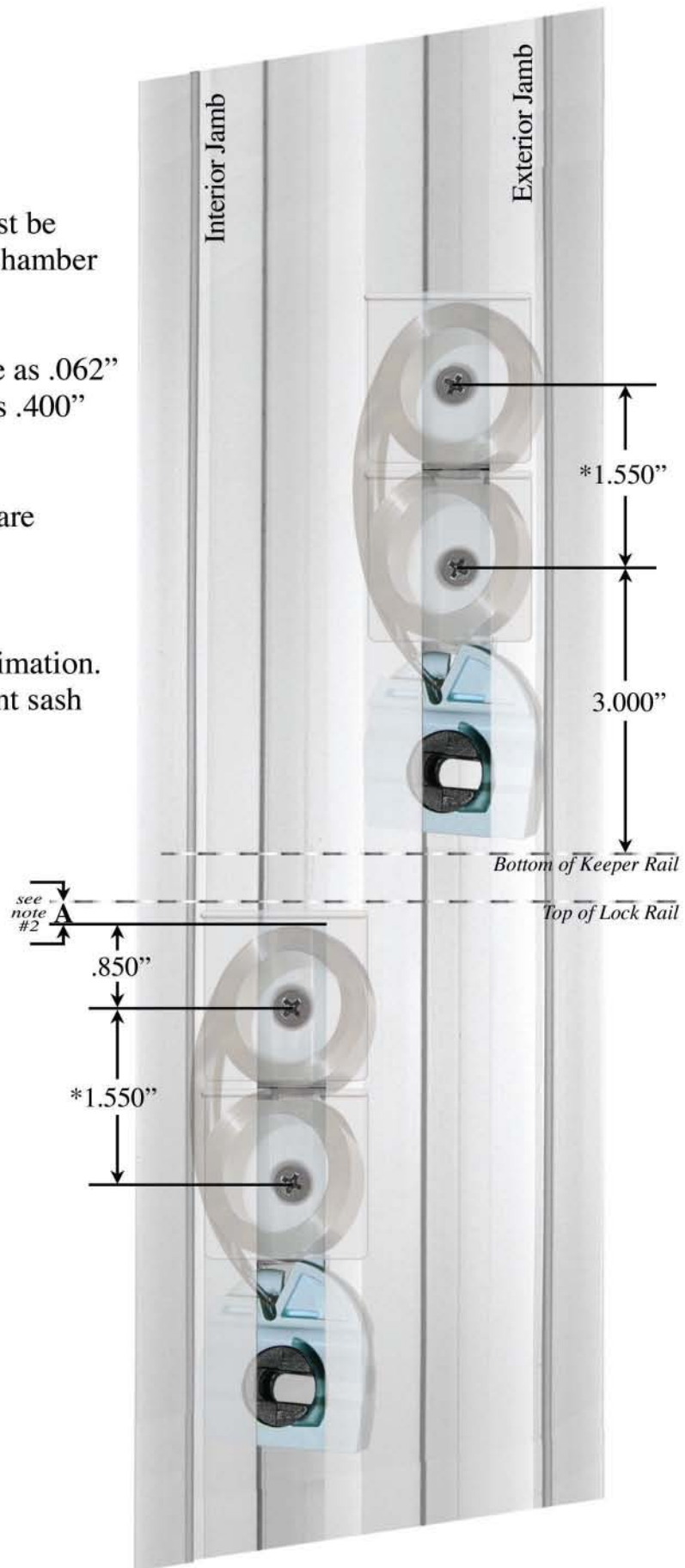
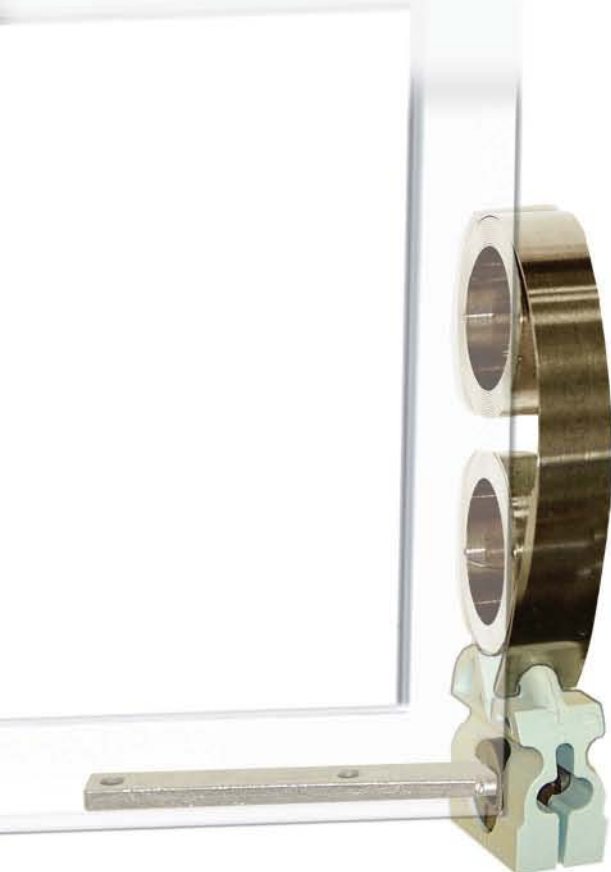


* When mounted to underside of sash, "nose" of pivot bar should face the interior surface of window.



Fabrication Instructions

1. For proper function, spring holder must be located exactly on centerline of balance chamber rear wall.
2. Dimension "A" will vary from as little as .062" for top mounted tilt latches, to as much as .400" for flush mounted tilt latches.
3. Spring holder assemblies and springs are designed to work in conjunction with the **CURVE** Balance System.
4. Dimensions shown are a close approximation. Dimensions may vary slightly for different sash configurations.



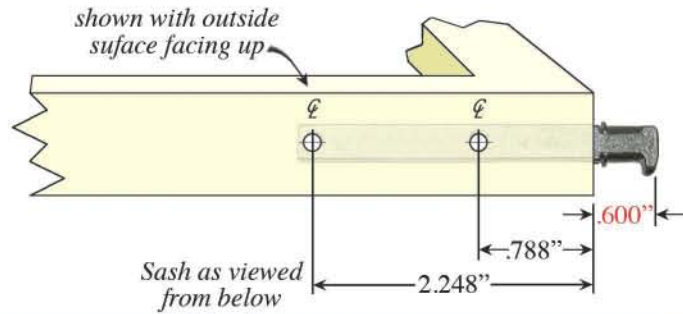
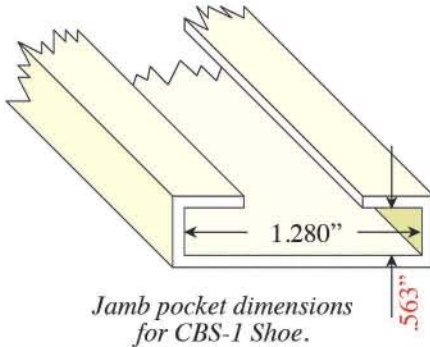


CURVE Shoe Selection:

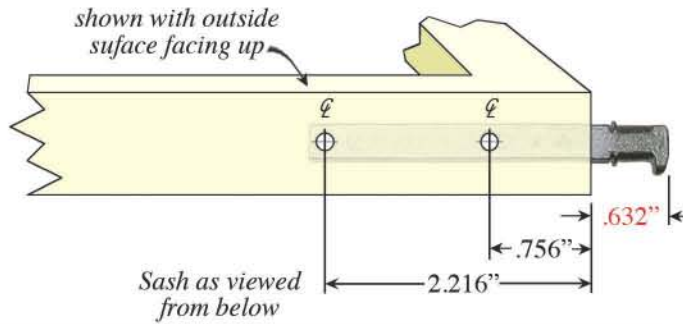
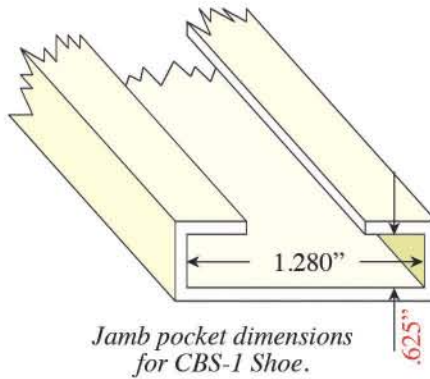
We offer two Curve Shoe styles. The choices of thicknesses of the Shoe allows the best "fit" to your jamb pocket. The diagrams below should help in choosing the best style shoe for your application.



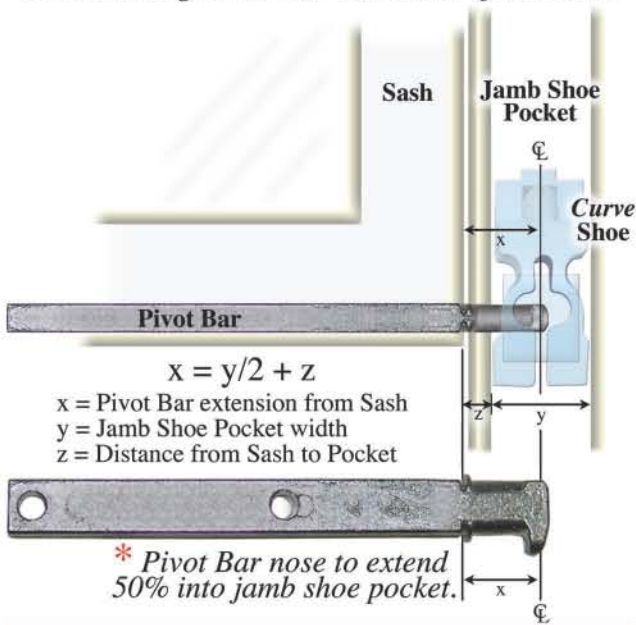
CBS-1 Shoe
light blue & grey



CBS-1A Shoe
white



Determining Pivot Bar Extension from Sash



Pivot Bar Extension:

Please review the diagrams above and to the left. These should help in determining the proper extension dimensions for your application.

Note:

The extension of the Pivot Bar in relation to the centerline of the Shoe Cam is essential to the smooth operation and long life of the system.

Our Sales Department and technical staff are happy to assist you in your determination and to provide you with samples.



ph: 215-368-7700 fx: 215-368-9019
 www.springcompany.com
 sales@springcompany.com