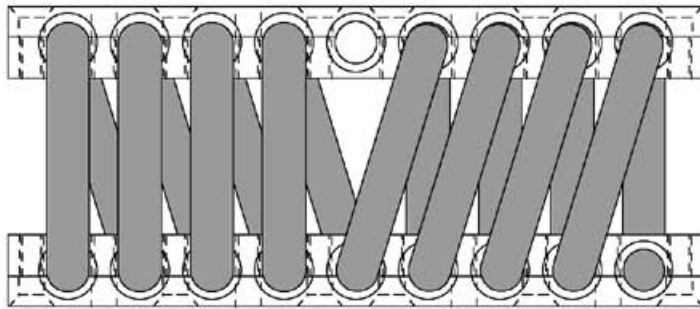


HELICAL ISOLATORS - HM08875 SERIES

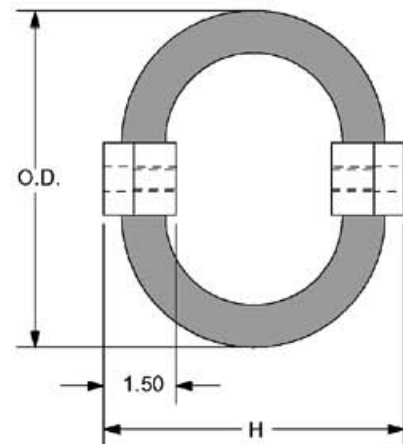
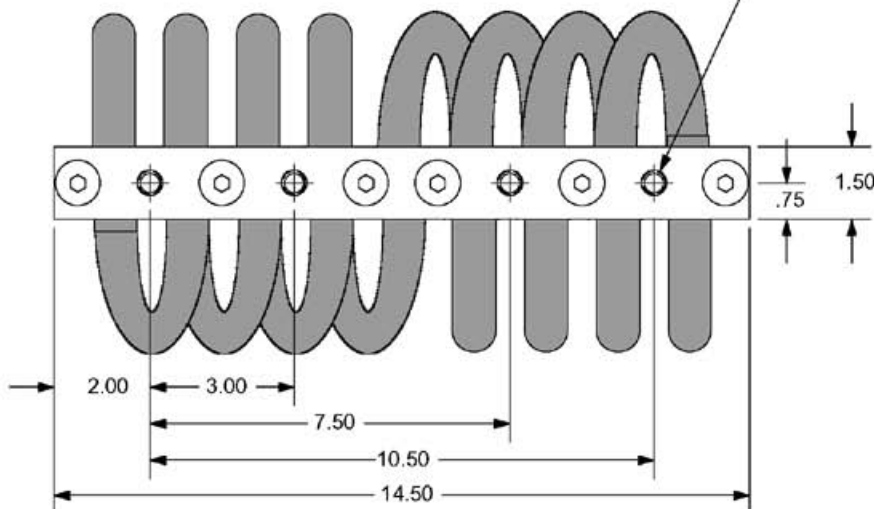
7/8" DIA CABLE

EVANS Part Number	Dimensions(in.)		Compression		Shear & Roll		45° Compression/Roll	
	H	O.D.	Avg. Rate(lb/in)	Max Deflection(in)	Avg. Rate(lb/in)	Max Deflection(in)	Avg. Rate(lb/in)	Max Deflection(in)
HM08875-1	5.25	5.5	4375	2.0	2865	2.1	2820	2.5
HM08875-2	6.0	6.5	2782	2.6	1541	2.6	1441	3.2
HM08875-3	6.25	7.0	1956	3.0	1419	2.9	1271	3.8
HM08875-4	7.5	8.25	1277	3.6	809	3.3	770	4.7
HM08875-5	8.5	9.25	842	4.2	493	4.0	388	6.4



Mounting Options (Add Suffix To Part #)

- A - 1/2-13 Tapped Holes Both Bars (8X) (SHOWN)
- B - Ø .530 Thru - CSK To 1.00 X 82° Both Bars (8X)
- C - 1/2-13 Tapped Holes - One Bar (4X)
CSK Holes - Other Bar (4X)



**REVISION 2
REDRAWN NOVEMBER 18, 1997**

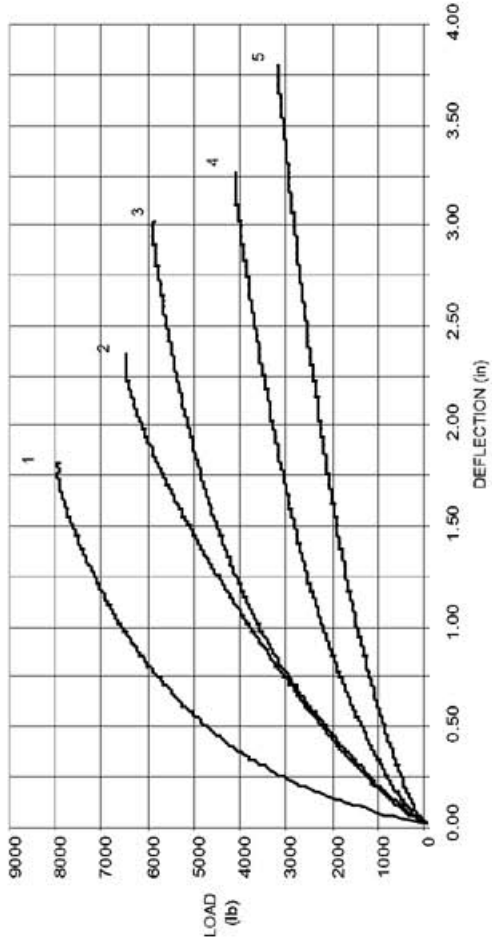
SPECIFICATIONS

CABLE: Stainless Steel per Fed Spec RR-W-410 D-1
 RETAINING BARS: Aluminum Alloy - 6061-T6 - Iridited per MIL-C-5541
 RETAINING SCREWS: Alloy Steel - Cadmium Plated per QQ-P-416 or Stainless Steel

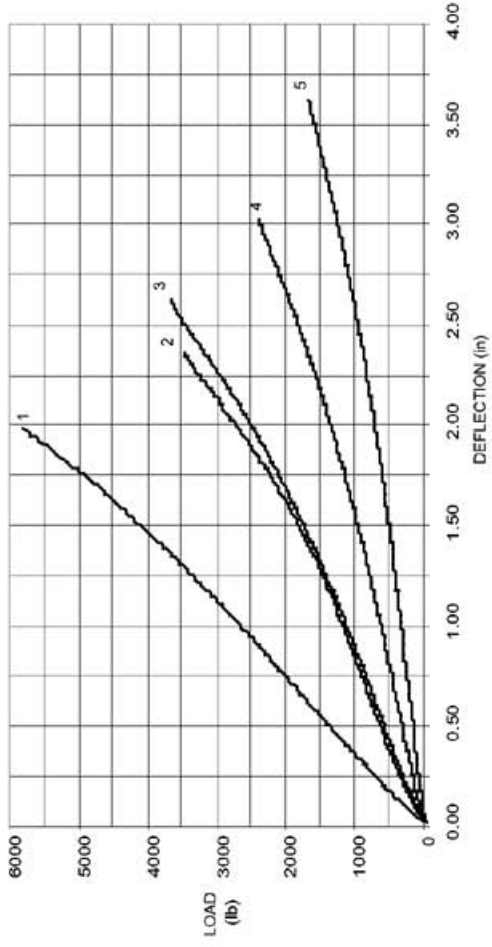
See other side for force-deflection curves.

HM08875 SERIES

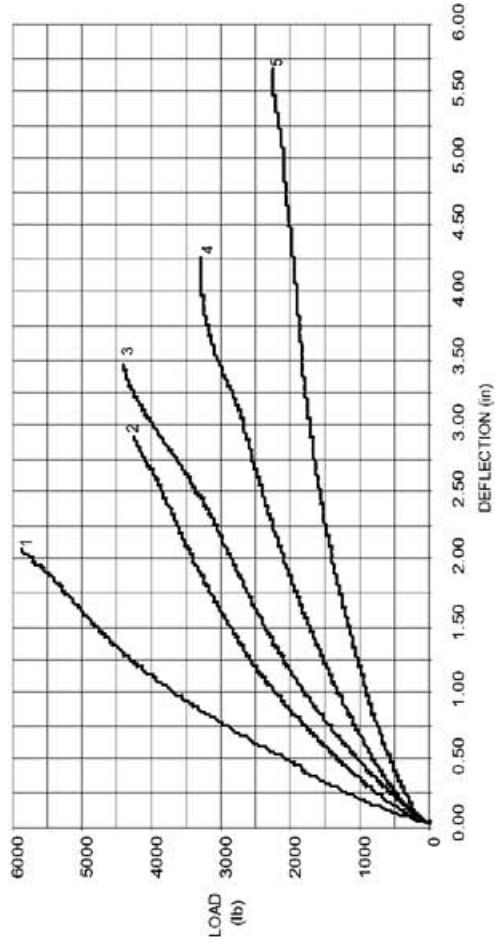
COMPRESSION



SHEAR



45° COMPRESSION/ROLL



ROLL

